

For reference only. See data sheet for the detailed specifications.

Technical Specification

| | | |
|----------------------------|----------------------------------|---------|
| Frequency Range(GHz) | 18.0 – 50.0 | |
| Gain(dBi) | 11 Typ. | |
| Polarization | Dual Linear | |
| 3dB Beamwidth(deg) | E Plane: | 78 - 20 |
| | H Plane: | 78 - 31 |
| Cross Pol. Isolation(dB) | 35 Typ. ; 20 Min. | |
| Port to Port Isolation(dB) | 40 Typ. ; 30 Min. | |
| VSWR | 1.5:1 Typ. | |
| | 2.0:1 Max. | |
| Connector | 1.85mm-Female or 2.4mm-Female | |
| Power Handling(W CW) | 1.85mm-Female: | 5 Max. |
| | 2.4mm-Female: | 10 Max. |
| Material | Al | |
| Finish | Gold Plated, Gray Paint | |
| Size(mm) | 32.8 x 32.8 x 61.5 | |
| Net Weight(Kg) | 0.07 Around | |



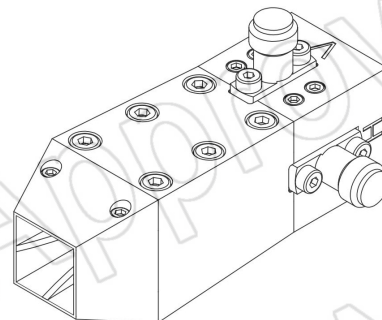
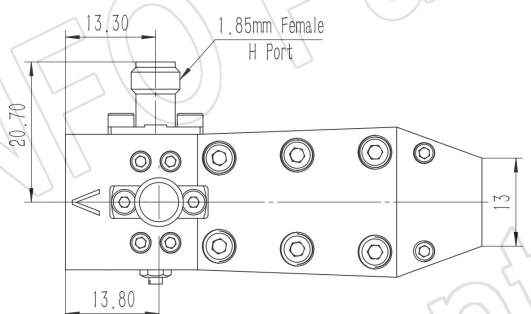
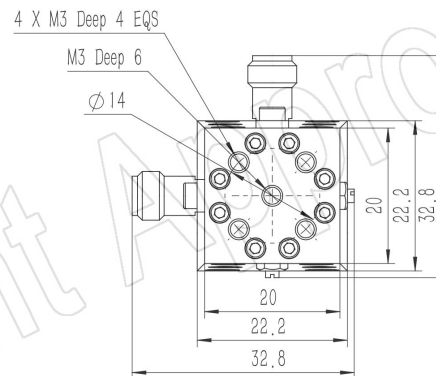
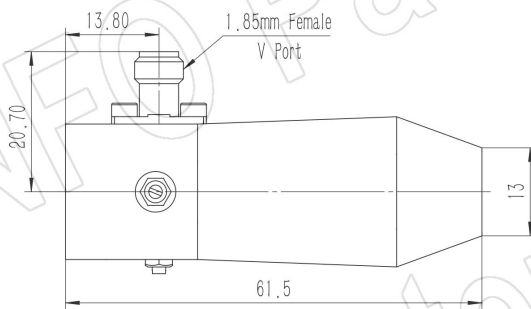
PATENT ID (China)

ZL202110169182.5, ZL202120347852.3, ZL202030751611.6

Outline Drawing (Size: mm)

1.85mm-Female Output (P/N: LB-SJ-180500C-1.85F)

For 2.4mm-Female output outline drawing, please contact A-INFO.



AINFO Inc.

China(Beijing):
China(Chengdu):
USA :

Tel: (+86) 10-6266-7326,
Tel: (+86) 28-8519-2786,
Tel: (+1) 949-639-9688,

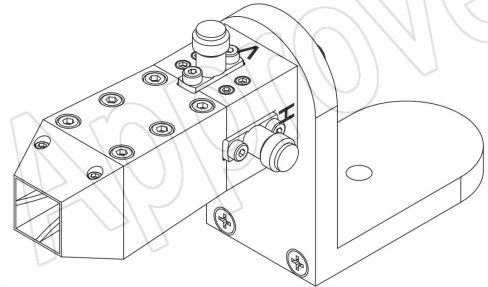
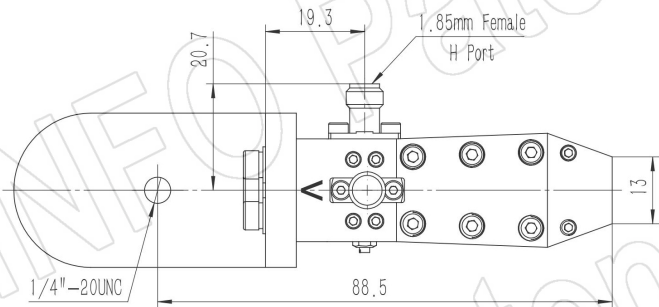
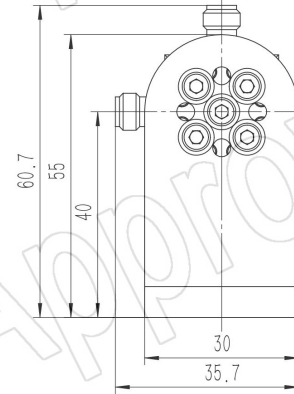
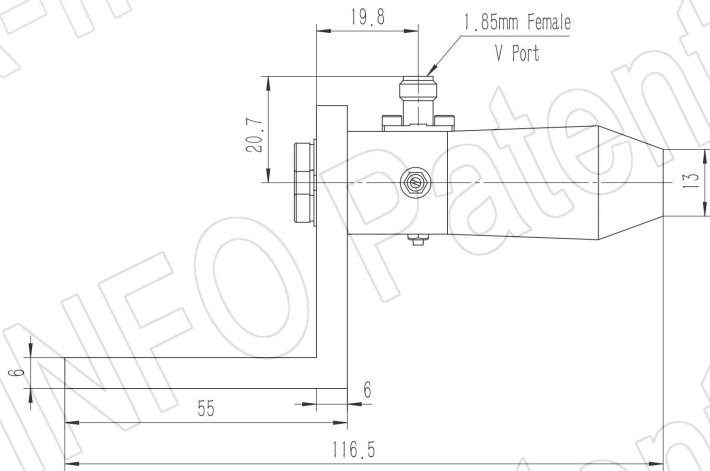
(+86) 10-6266-7327
(+86) 28-8519-3044
(+1) 949-639-9608

Fax: (+86) 10-6266-7379
Fax: (+86) 28-8519-3068
Fax: (+1) 949-639-9670

Website: www.ainfoinc.com
Email: sales@ainfoinc.com

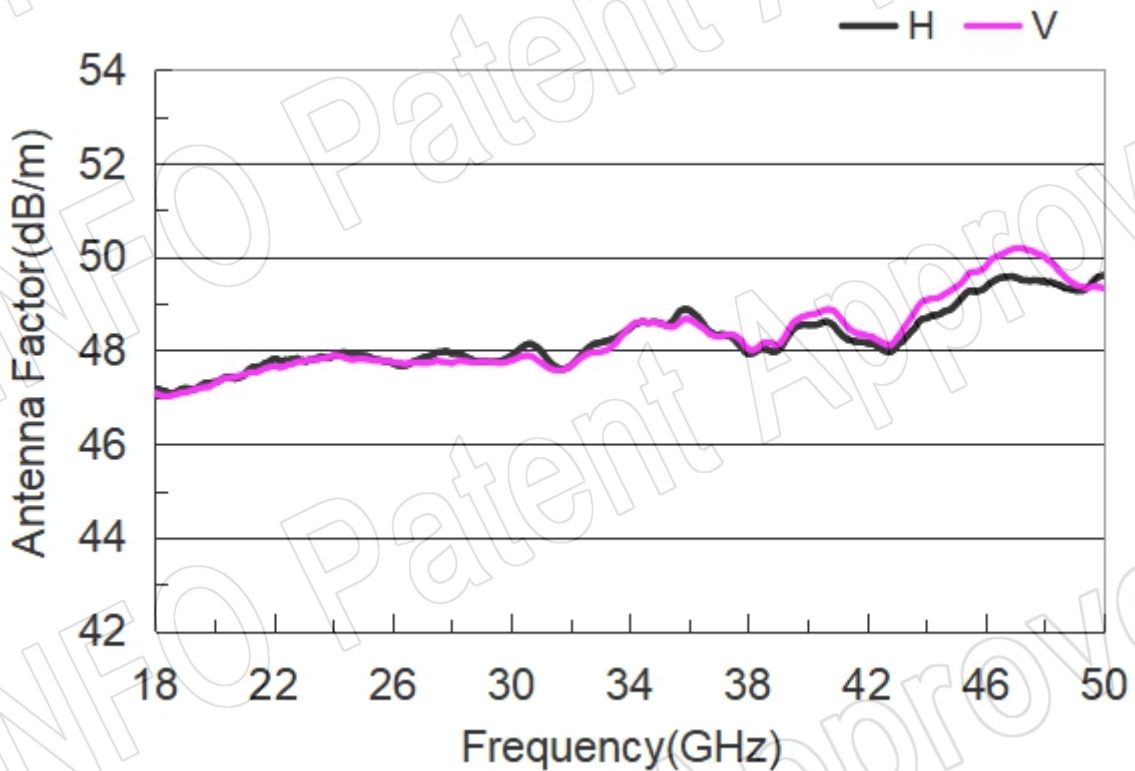
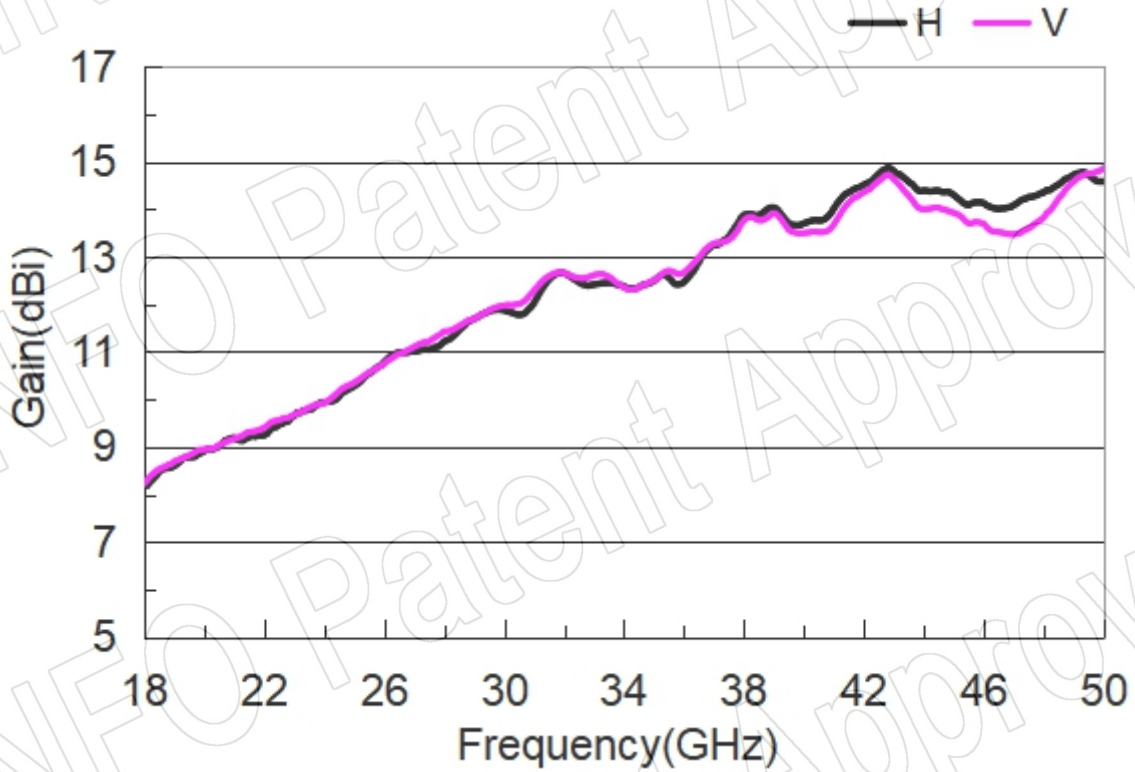
1.85mm-Female Output with L Type Mounting Bracket (Option, P/N: LB-SJ-180400-L)

For 2.4mm-Female output outline drawing, please contact A-INFO.

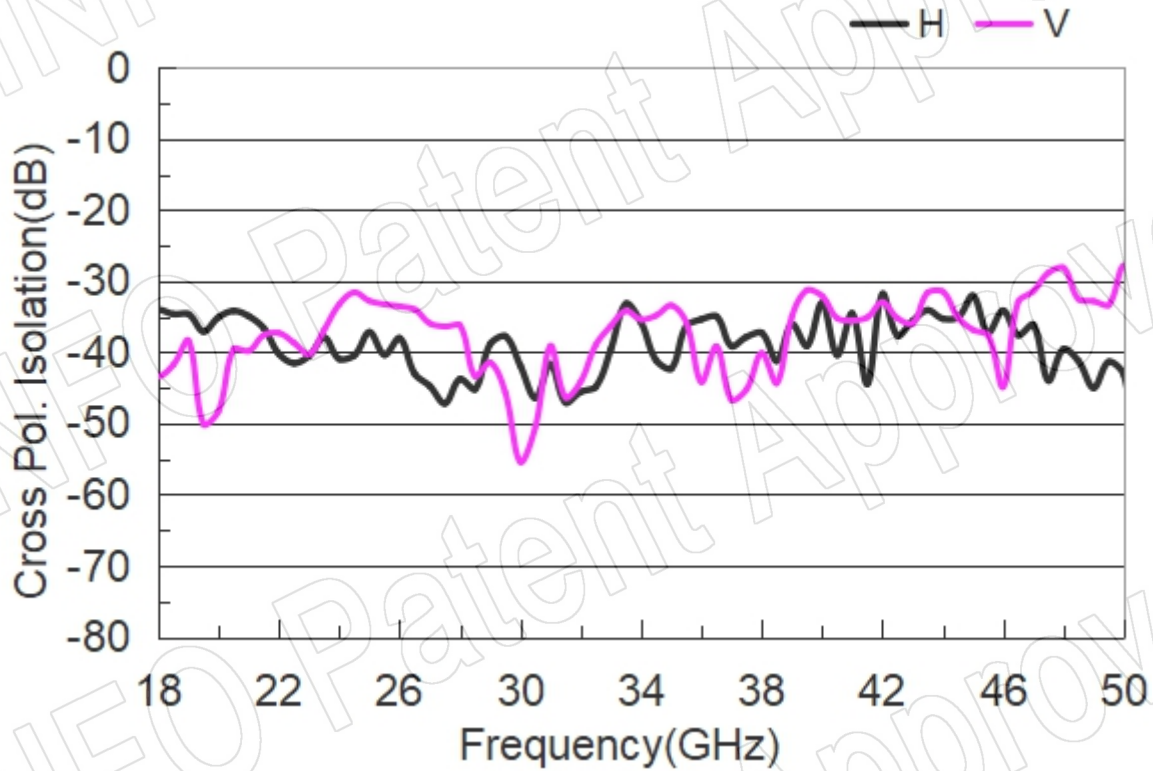


Test Results

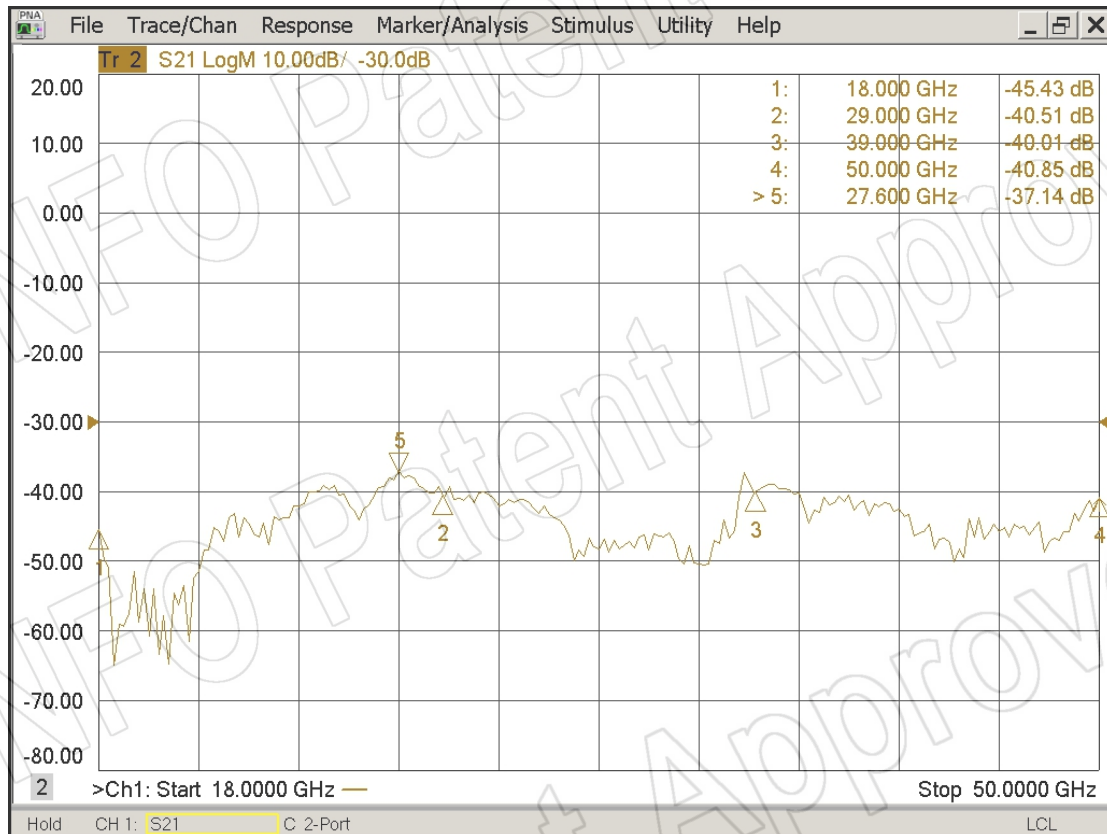
1. Gain & Antenna Factor



2. Cross Polarization Isolation

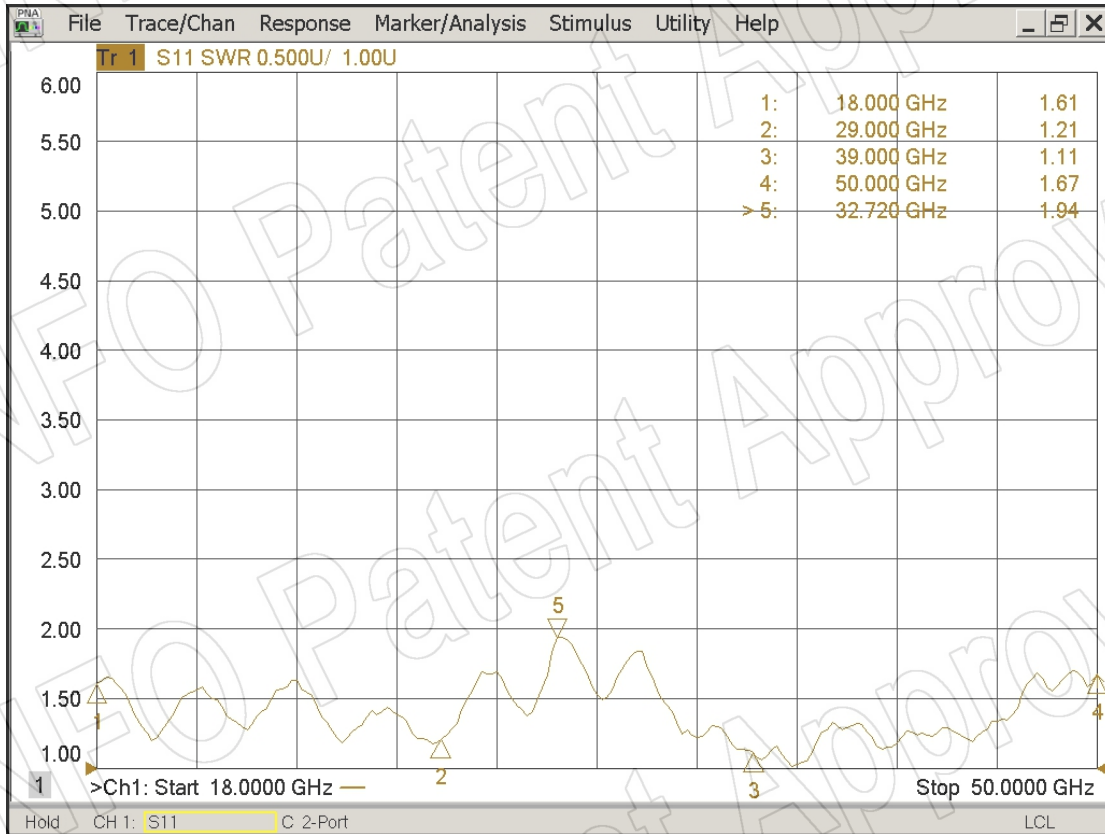


3. Port to Port Isolation

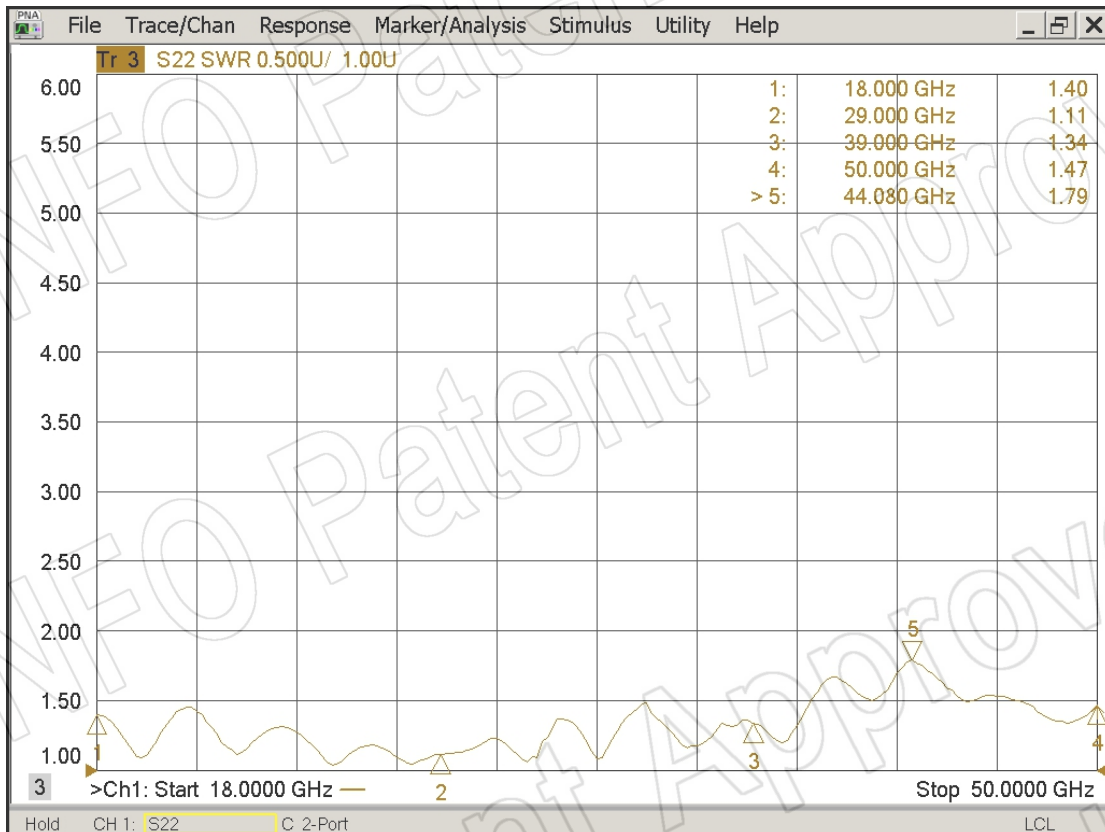


4. VSWR

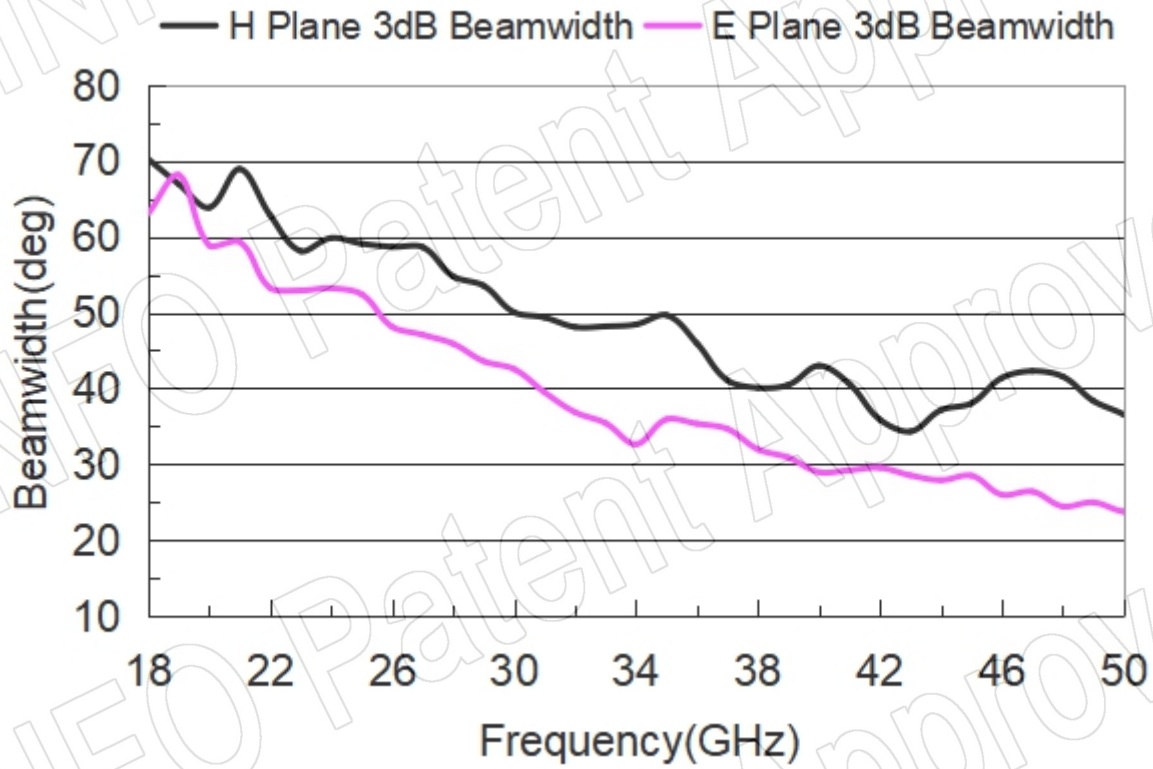
Port-H



Port-V



5. Beamwidth



6. Pattern

